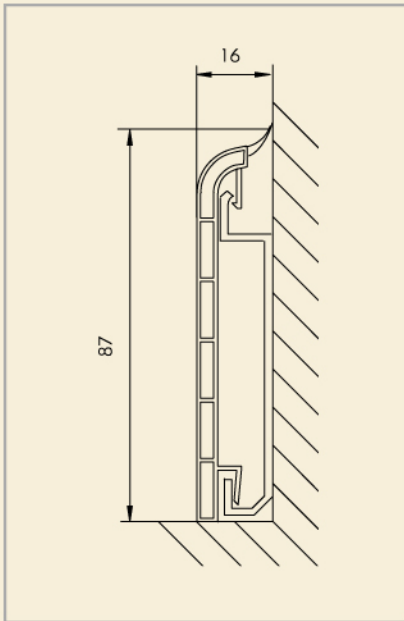




BLF

Dummy skirting board profiles of plastic hollow space profile



Dimensions of BLF with BLH

We recommend using dummy skirting profiles along walls without heating pipes. They consist of a robust plastic hollow space profile with a sealing lip to the wall and are available in eight finishes matching the skirting boards SLF 2000 up to 22 mm. The dummy skirting boards can be mounted easily with the dummy skirting board holder art. no.155.

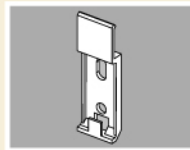


Dummy skirting board holders should be spaced every 50 cm.

Dummy skirting board holders are mounted with the nail plug art. no. 204.



The moulded parts for the SLF profile illustrated below have a breaking piece on the underside. This means they can be used both as moulded parts for dummy skirting boards and also for transition from skirting board to dummy skirting board. We recommend cutting the breaking points off with a carpet knife or scissors.



HZ Dummy skirting board holder art. no. 155 (BLH)

Dummy skirting board holders for mounting BLF dummy skirting boards. The dummy skirting boards BLT and BL are mounted using only a screw without the dummy skirting board holder.
Packing unit: 40 pcs Number required: 2 per metre Nail plug art. no. 204 see page 19

Dummy skirting board

from plastic hollow space profile
Packing unit: 40 m
Length: 4 m

Inside corner for custom solutions

for BLF or transition from BLF to SLF
Packing unit: 10 pcs

Outer corner for custom solutions

for BLF or transition from BLF to SLF
Packing unit: 10 pcs

Butt joint

Packing unit: 10 pcs

Left end piece

Packing unit: 10 pcs

Right end piece

Packing unit: 10 pcs



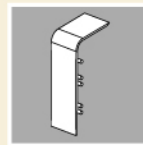
Maple
Art. no. 2019
(BLF A)



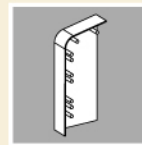
Maple
Art. no. 2016
(IE A)



Maple
Art. no. 2017
(AE A)



Maple
Art. no. 2013
(ST A)



Maple
Art. no. 2014
(ES A left)



Maple
Art. no. 2015
(ES A right)

Light beech
Art. no. 2029
(BLF BH)

Light beech
Art. no. 2026
(IE BH)

Light beech
Art. no. 2027
(AE BH)

Light beech
Art. no. 2023
(ST BH)

Light beech
Art. no. 2024
(ES BH left)

Light beech
Art. no. 2025
(ES BH right)

Dark beech
Art. no. 4139
(BLF BD)

Dark beech
Art. no. 4131
(IE BD)

Dark beech
Art. no. 4132
(AE BD)

Dark beech
Art. no. 4133
(ST BD)

Dark beech
Art. no. 4134
(ES BD left)

Dark beech
Art. no. 4135
(ES BD right)

White ash
Art. no. 4149
(BLF EW)

White ash
Art. no. 4141
(IE EW)

White ash
Art. no. 4142
(AE EW)

White ash
Art. no. 4143
(ST EW)

White ash
Art. no. 4144
(ES EW left)

White ash
Art. no. 4145
(ES EW right)

Light oak
Art. no. 169
(BLF EH)

Light oak
Art. no. 161
(IE EH)

Light oak
Art. no. 162
(AE EH)

Light oak
Art. no. 163
(ST EH)

Light oak
Art. no. 164
(ES EH left)

Light oak
Art. no. 165
(ES EH right)

Dark oak
Art. no. 179
(BLF ED)

Dark oak
Art. no. 171
(IE ED)

Dark oak
Art. no. 172
(AE ED)

Dark oak
Art. no. 173
(ST ED)

Dark oak
Art. no. 174
(ES ED left)

Dark oak
Art. no. 175
(ES ED right)

White
Art. no. 189
(BLF W)

White
Art. no. 181
(IE W)

White
Art. no. 182
(AE W)

White
Art. no. 183
(ST W)

White
Art. no. 184
(ES W left)

White
Art. no. 185
(ES W right)

Grey
Art. no. 199
(BLF G)

Grey
Art. no. 191
(IE G)

Grey
Art. no. 192
(AE G)

Grey
Art. no. 193
(ST G)

Grey
Art. no. 194
(ES G left)

Grey
Art. no. 195
(ES G right)