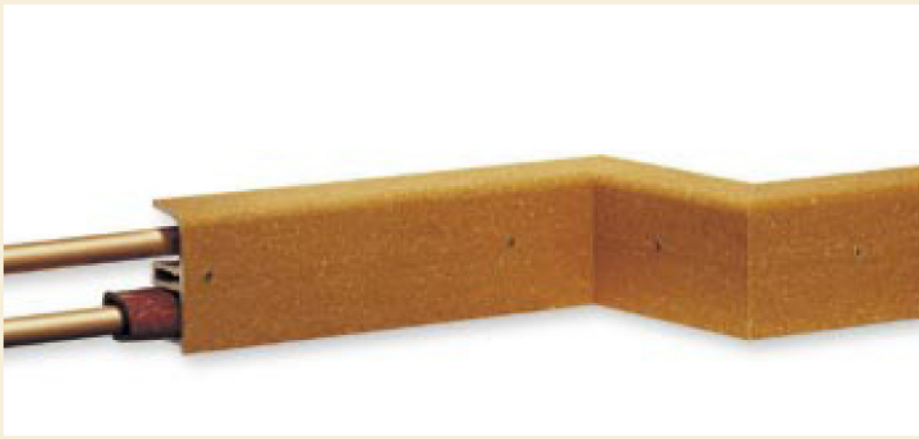




SLHW

Skirting board of wood-based material



The HW – skirting board from robust wood-based material is available in natural, or in light oak or abachi veneers. It is suitable for pipes up to 22 mm in diameter with fitting for soldering and up to 18 mm diameter with press fitting.

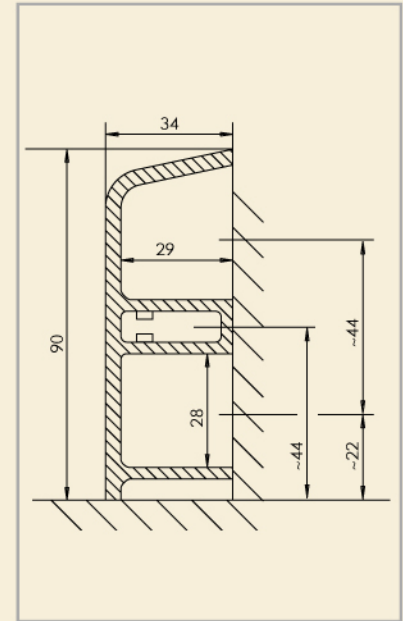
**It is mounted with a cheese-head or spax screw.
In the corners the profile is given an exact mitre cut.**

In order to obtain an accurate mitre cut we offer our mitre cutting device or precision saw (see page 20).
Please note that laying HZ insulation hoses (see page 20) over the entire area under the skirting board will reduce noise emission and loss of heat.

The HW – skirting board Natural is only intended for painting (NOT for staining).

To achieve a high quality opaque paint finish the Caparol company recommends sanding the profile and applying a coat of primer (Capacryl Haftprimer). Then apply an opaque coat of paint with Capacryl Seidenglanz paint (various colours) or Capalac Superweiss (similar to RAL 9010).
The HW – skirting boards with a veneer are for staining, for varnishing or applying an opaque coat of paint.

The HZ radiator connection art. no. 1315 / 1318 can be used in conjunction with the HW skirting board for copper soldering DN 15 and DN 18. Remove the centre ridge using pliers!



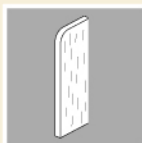
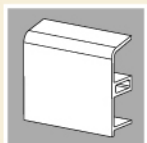
Dimensions of the SLHW wood-based material skirting board

SLHW skirting board

Skirting board for 2 pipes for 18 mm Ø press-fit and 22 mm Ø solder systems
Packing unit: 20 m
Length: 4 m

End piece

Suitable for art. nos. 134, 136 and 138
Can be used on the left and the right
Packing unit: 10 pces



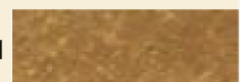
Natural
Art. no. 134
(SLHW can be painted)

End piece
Art. no. 133
(HW E)

Light oak
Art. no. 136
(SLHW EH can be stained)

Abachi
Art. no. 138
(SLHW A can be stained)

Natural



Light oak



Abachi

