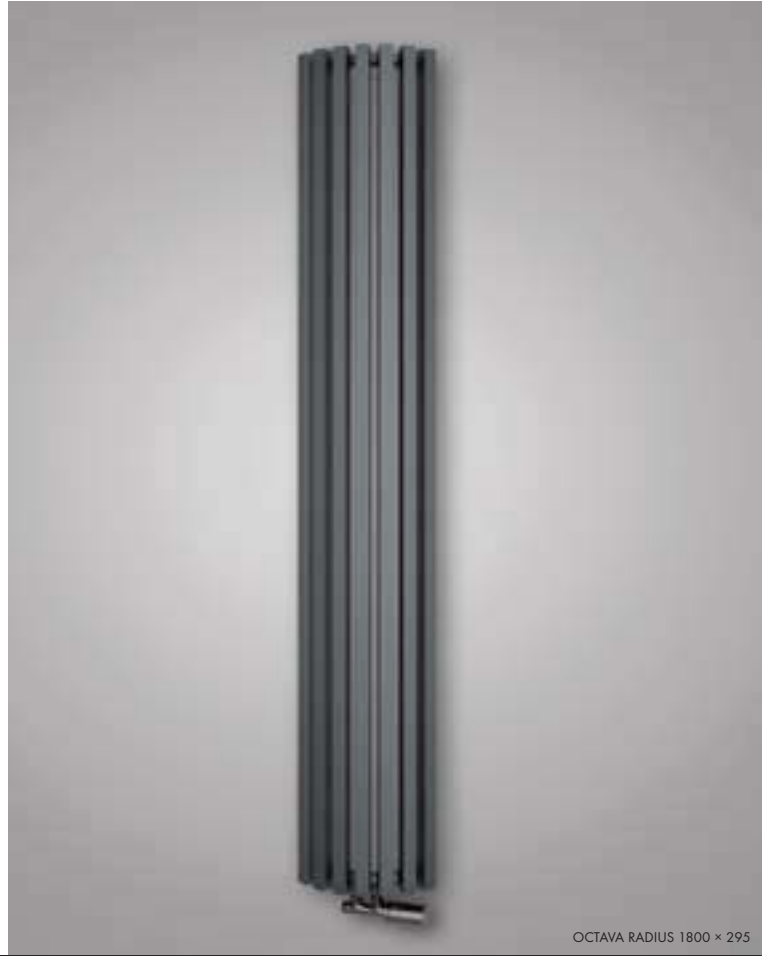


# OCTAVA RADIUS

NEW



## OCTAVA RADIUS

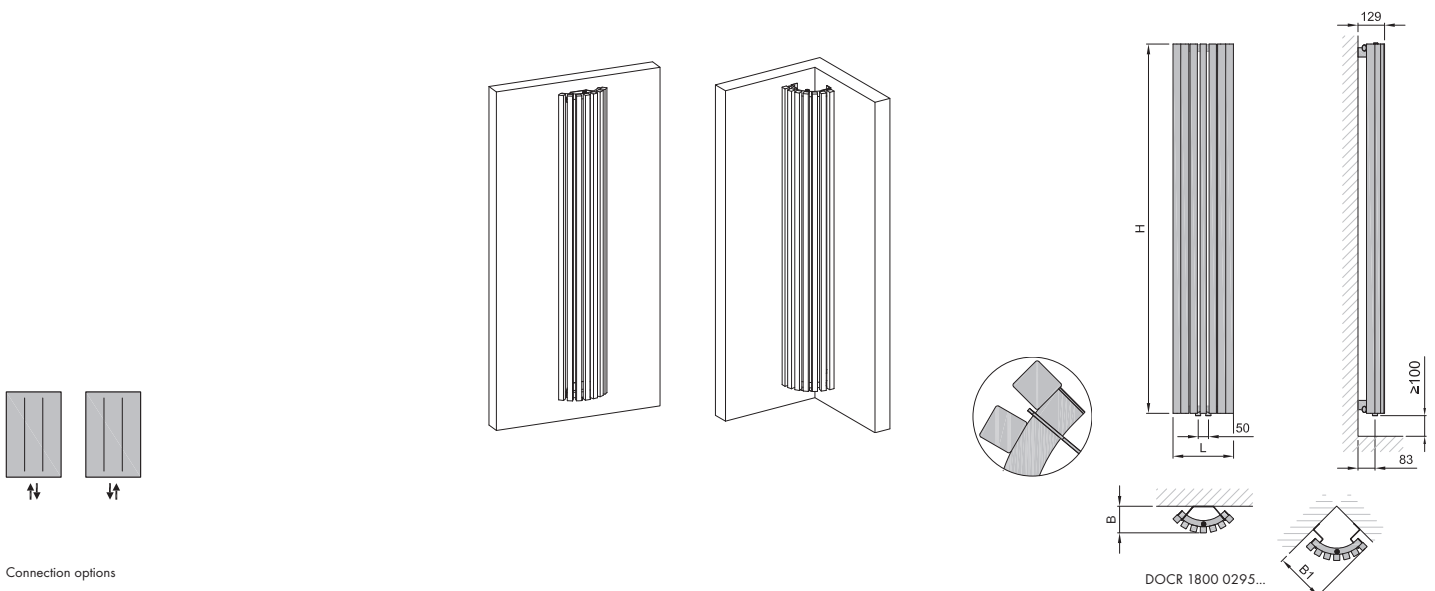
Material	steel pipes $\varnothing$ 30 mm / steel profiles 30 x 30 mm
Connection thread	2 x G1/2"
Testing overpressure	1,3 MPa
Max. operating overpressure	1,0 MPa
Max. operating temperature	110 °C
Number of profiles	7



OCTAVA RADIUS 1800 x 295

Type H/L [mm]	Depth B, B1 [mm]	Weight [kg]	Water capacity [l]	Temperature exponent [n]	Heating Output [W]			Recommended power input		Connection span [mm]
					75/65/20 °C	70/55/20 °C	55/45/20 °C	paint [W]	chrome [W]	
1800/295	129, 245	18,2	9,3	1,276	748	608	390	-	-	mc 50

Thermal power measuring follows in accordance with EN 442.  
Accessories (page 64, 65 and 66) is not part of the radiator.



Connection options