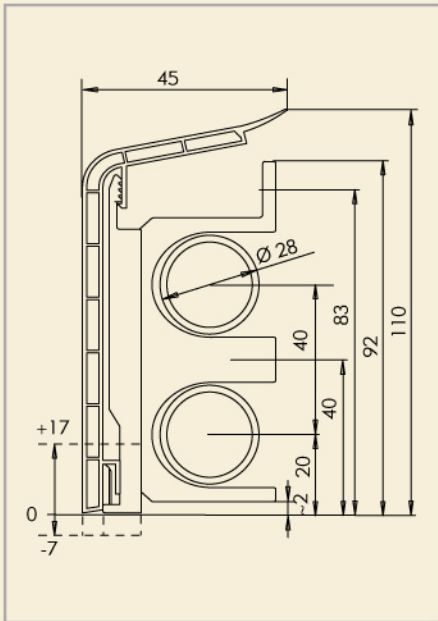




SLF 28-2000

The profile for pipes up to 28 mm and when more space is needed, in two finishes



Dimensions of SLF 28 -2000 profile, with bracket 2450

The SLF 28-2000 profile is a robust plastic hollow space profile with a sealing lip on the wall in order to compensate for uneven walls. It is used for example with pipes up to 28 mm, with press fittings up to 22 mm and with the HZ insulation hose for pipes up to 22 mm. You will find a detailed summary of areas of application depending on the pipes used on pages 16 and 17.

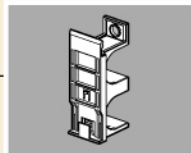
Corner brackets are dispensed with in the case of the SLF 28-2000 profile in order to ensure maximum free space in the corners.

Bracket art. no. 2450 is used for mounting, providing all the advantages of bracket art. no. 2150 with larger dimensions. The profile and the matching moulded parts are available in light oak and white finishes.



We recommend spacing the brackets every 50 cm. If there are problems with the walls, space the brackets more closely together.

When walls and floors are very uneven we recommend using an additional sealing lip. This can be stuck on the skirting board both towards the wall and towards the floor. This achieves an extra 10 mm length in the profile. The sealing lip and other accessory parts for the skirting boards can be found on page 20.



HZ bracket art. no. 2450 (SCH 2450)

Bracket for mounting over pipes once they have been laid, up to 28 mm. Fits all HZ SLF 28-2000 profiles.
Packing unit: 40 pcs Number required: 2 per metre.

To ensure that mounting is not under any strain, we recommend positioning the bracket 1-3 mm from the floor.



Nail plug art. no. 210 (ND 100-8)

Wall plug with countersunk head and threaded nail. Packing unit: 50 pcs
Requirements: 1 per bracket SCH 2450 The nail wall plug is also suitable for soft surfaces for all other HZ 2000 brackets.



Nail plug art. no. 204 (ND 40-6)

Wall plug with countersunk head and threaded nail. Packing unit: 50 pcs
Requirements: 1 pce. for additional mounting of the bracket 2450.

SLF 28 -2000 profile

Skirting board for pipes up to 28 mm, plastic hollow space profile.
Packing unit: 40 m
Length: 4 m

Inside corner

Packing unit: 10 pcs

Outer corner

Packing unit: 10 pcs

Butt joint

Packing unit: 10 pcs

Left end piece

Packing unit: 10 pcs

Right end piece

Packing unit: 10 pcs

Light oak

White (≈RAL 9010)



Light oak
Art. no. 2460
(SLF 28-2000 EH)



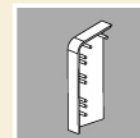
Light oak
Art. no. 5161
(IE 28 EH)



Light oak
Art. no. 5162
(AE 28 EH)



Light oak
Art. no. 5163
(ST 28 EH)



Light oak
Art. no. 5164
(ES 28 EH left)



Light oak
Art. no. 5165
(ES 28 EH right)



White
Art. no. 2480
(SLF 28-2000 W)



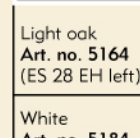
White
Art. no. 5181
(IE 28 W)



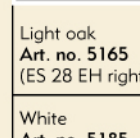
White
Art. no. 5182
(AE 28 W)



White
Art. no. 5183
(ST 28 W)



White
Art. no. 5184
(ES 28 W left)



White
Art. no. 5185
(ES 28 W right)