

Antique amphora | Antique wall amphora | Antique plant amphora

Give your home a mediterranean flair



Antique amphora
terracotta, order no. 211602



**PREMIUM
QUALITY**





Antique plant amphora
terracotta, order no. 211600

Antique amphora
250 l / 66 US gallons
ø max. 70 cm | Width above handles 79 cm
Height 108 cm | Weight 15 kg
terracotta order no. 211601

sandstone order no. 211605

darkgranite order no. 211609

Antique amphora
600 l / 158 US gallons
ø max. 92 cm | Width above handles 104 cm
Height 142 cm | Weight 30 kg
terracotta order no. 211612

sandstone order no. 211613

darkgranite order no. 211614

Antique wall amphora
260 l / 69 US gallons
Width 88 cm | Depth 54 cm | Height 120 cm
Weight 20 kg
terracotta order no. 211603

sandstone order no. 211607

darkgranite order no. 211611

Antique amphora
360 l / 95 US gallons
ø max. 78 cm | Width above handles 88 cm
Height 120 cm | Weight 20 kg
terracotta order no. 211602

sandstone order no. 211606

darkgranite order no. 211610

TIP

Rain collector Speedy downpipe filter with filter insert.
Order no. 503041
For details please see page 40

Antique plant amphora

Can be used for decoration or simply as a planter

Width 59 cm | Height 80 cm
ø max. 52 cm | Weight 7 kg
terracotta order no. 211600

sandstone order no. 211604

darkgranite order no. 211608

- Integrated plant cup for an individual design.
- Each tank is unique due to the special production process.
- The water tank includes two high-quality brass threads.
- Water can be extracted with ease using the tap or universal hose kit (accessories, page 45)



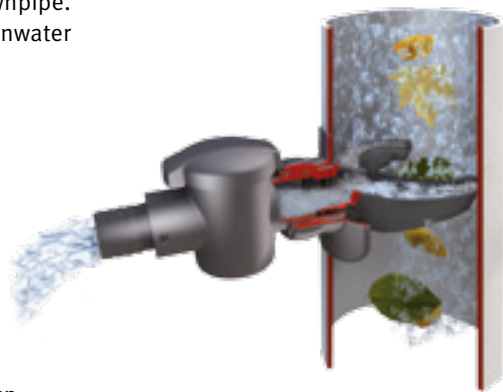
Connection made easy:

Installation and connection of a GRAF decorative tank

DOWNPIPE FILTER

Downpipe filters reliably filter dirt from rainwater, thus ensuring optimal water quality. The water butt cannot overflow due to an overflow stop. The excess water simply flows back into the downpipe. In the winter, the inlet to the rainwater tank is easy to stop.

The downpipe filter ensures optimal water quality



The water butt fills up automatically and overflowing of the full water butt is prevented.



Easy switching from summer to winter use.



VIDEO TIP
How does a downpipe filter work?
www.graf-water.com

Downpipe filter

Page 40



The ground must be level for the installation of a tank.



The downpipe is connected using a downpipe filter.



A hole is drilled in the tank for the installation of the inlet seal.

Tank accessories

Page 45



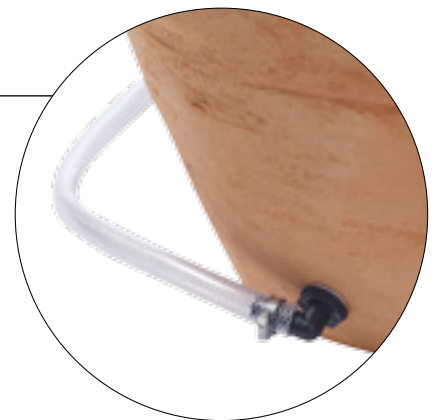
DRAIN TAP

Water extraction is made extremely convenient by the GRAF tap (accessories). It is screwed into the tank's standard thread connection without the need for drilling.



GRAF UNIVERSAL HOSE KIT

The GRAF universal hose kit (accessories) provides an additional extraction option. It is used to leverage the tank's full volume, and also as a fill level indicator. The hose kit (accessories) is either screwed into the tank's convenient connection or mounted on to the tank using a drill and a seal.



The integrated plant cup enables an individual design.



Your decorative tank is now perfectly installed and connected.

GRAF TV
www.graf-water.com



You will find the video on our website www.graf-water.com

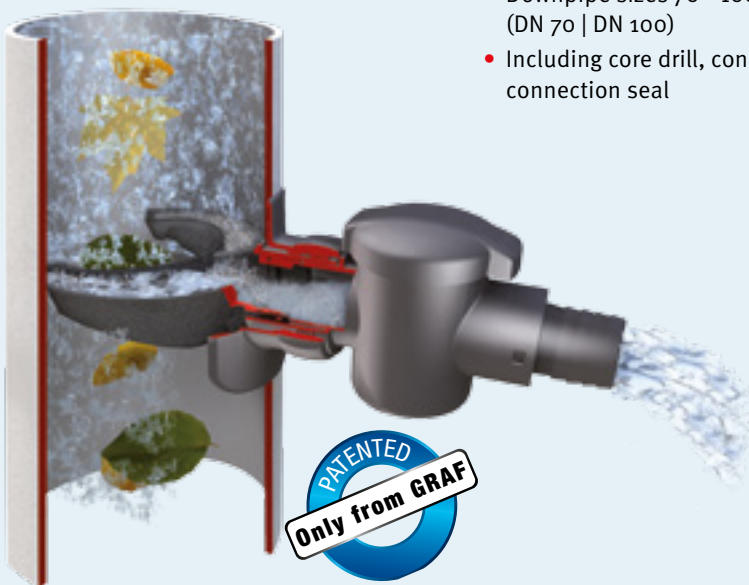
Rain collector *Speedy* and Rapido

The installation champions

Rain collector *Speedy*

Height 9 cm | Ø 6 cm

Order no. 503041

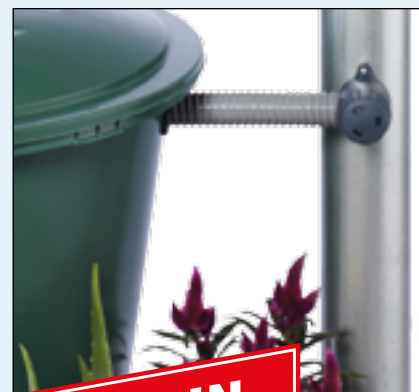


- No removal of the downpipe for the installation
- Distance between downpipe and wall is irrelevant
- Downpipe sizes 70 – 100 mm (DN 70 | DN 100)
- Including core drill, connecting hose, connection seal

Rain collector *Rapido*

Height 9 cm | Ø 6 cm

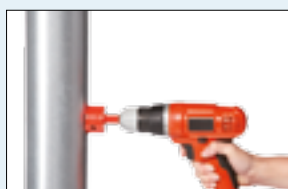
Order no. 503070



INSTALLED IN 5 MINUTES



Drill



Plug in



Done



Overview downpipe filter



	Speedy	Rapido	Quattro Twist	Quattro
Downpipe sizes	70-100 mm	70-100 mm	65 x 65 mm	65 x 65 mm
Overflow stop function	•	•	•	•
Max. roof area	80 m ²	80 m ²	80 m ²	50 m ²
Rainwater butt connection	32 mm (1 1/4")	32 mm (1 1/4")	25 mm (1")	19 mm (3/4")
Required distance between downpipe and wall	-	-	10 mm	8 mm
Switch for summer / winter operation	•	•	•	•
Filter insert	plastic sieve	plastic sieve	plastic sieve	plastic sieve

Regendieb Pro

The slim version for big roof areas

**FOR ROOF SURFACES
UP TO 200 m²**

Regendieb Pro

Height 25,5 cm | Ø 13 cm
grey order no. 344202
brown order no. 344203

- New filter principle with greater filter area
- Slim design – only 16 mm distance between downpipe and outside wall
- Turnable filter body for flexible connection
- Downpipe sizes 70 – 100 mm (DN 70 | DN 100)
- Including connection seal



TIP
Connection set Flex-Comfort
 z.B. grey order no. 220019
 For details please see page 46



70-100 mm	70-100 mm	70-100 mm	70-100 mm	70-100 mm	70-100 mm
•	•	•	•	•	•
200 m ²	100 m ²	80 m ²	80 m ²	50 m ²	80 m ²
DN 50, 32 mm (1 1/4")	DN 70 DN 50, 32 mm (1 1/4")	DN 70 DN 50, 32 mm (1 1/4")	32 mm (1 1/4")	25 mm (1")	-
16 mm	38 mm	25 mm	25 mm	16 mm	5 mm
•	•	•	•	•	•
stainless steel sieve	stainless steel sieve	stainless steel sieve	plastic sieve	plastic sieve	plastic sieve

Regendieb de luxe | Regendieb

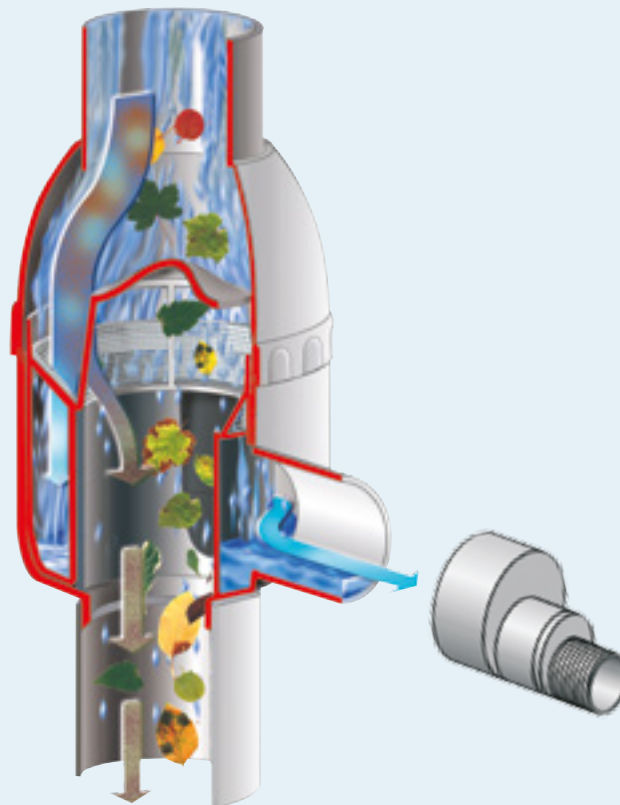
Regendieb de luxe

Height 30 cm | \varnothing 17,5 cm

grey order no. 344104

brown order no. 344105

- Stainless steel sieve
- High water yield (approx. 90%)
- Downpipe sizes 70 – 100 mm (DN 70 | DN 100)
- Including connection seal



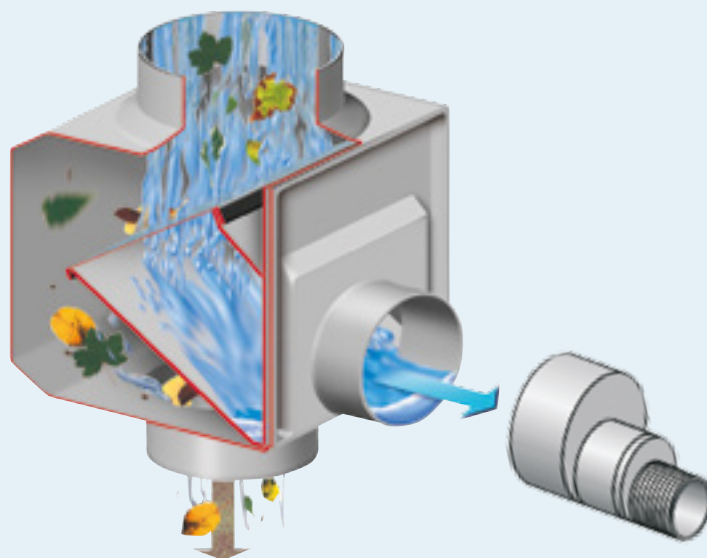
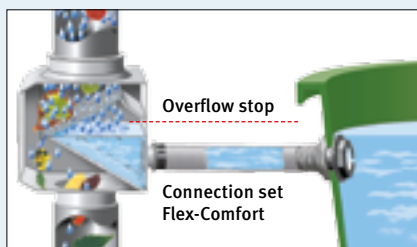
Regendieb

Height 25 cm | Width 15 cm | Depth 20 cm

grey order no. 343011

brown order no. 343010

- Stainless steel sieve
- Downpipe sizes 70 – 100 mm (DN 70 | DN 100)
- Including connection seal



Filling device | Filling device de luxe

Foliage guard

Filling device

Height 11,5 cm | \varnothing 13 cm
grey order no. 503011
brown order no. 503010

- Downpipe sizes 70 – 100 mm (DN 70 | DN 100)
- 25 mm (1") side outlet, with hose and screw connection



Filling device de luxe

Height 15 cm | \varnothing 15 cm
grey order no. 503015
brown order no. 503014

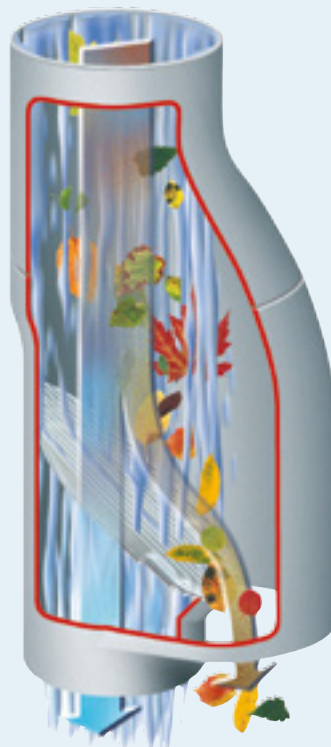
- Downpipe sizes 70 – 100 mm (DN 70 | DN 100)
- 32 mm (1 1/4") side outlet, with hose and screw connection



Foliage guard

Height 35 cm | **Width** 11 cm | **Depth** 18 cm
grey order no. 346013
brown order no. 346011

- Reliably traps leaves and large contaminants, preventing the downpipe from getting blocked
- Ideal in areas with a lot of leaves e.g. as pre-filter
- Self-cleaning and low-maintenance
- Convenient removal of screen area without having to dismantle the filter for cleaning or before frost period
- Can be easily switched from summer to winter use
- Downpipe sizes 70 – 100 mm (DN 70 | DN 100)



Quattro | Quattro Twist

Quattro Twist

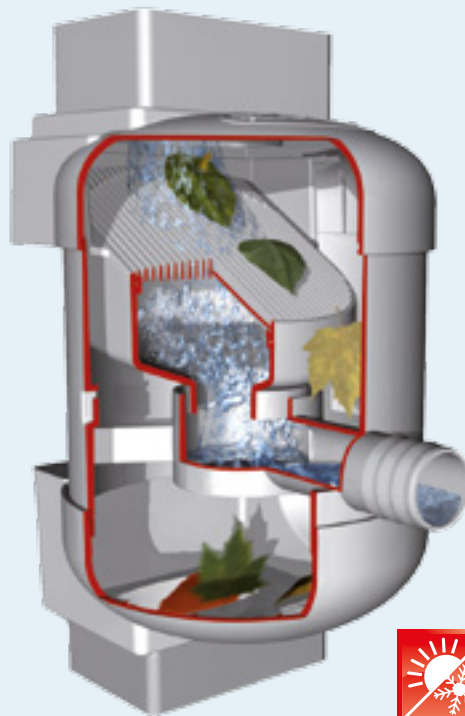
Height 24,5 cm | **Width** 16 cm |

Depth 20 cm

brown order no. 503051

beige order no. 503052

- Suitable for oval and square downpipes
- Easy to switch from summer to winter operation
- High water yield (approx. 90 %)
- With internal sieve
- Turnable 90 °, patented
- 1" side outlet



Quattro

Height 11,9 cm | **Width** 10,3 cm |

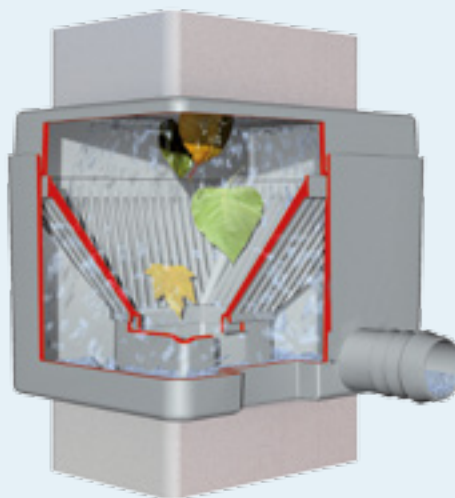
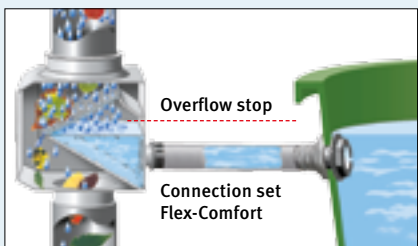
Depth 13,3 cm

grey order no. 503060

brown order no. 503061

beige order no. 503062

- Suitable for oval and square downpipes
- Easy to switch from summer to winter operation
- High water yield (approx. 90 %)
- 3/4" side outlet
- With internal sieve



Accessory

For water butts and overground water tanks



Design chrome tap 3/4"

This stylish chrome tap is suitable for all tanks of Modern line. Chrome polished, size 19 mm (3/4"), incl. teflon sealing tape. order no. 330254



Tap

A must for all stylish tanks! Suitable for all products of Classic and Exclusive Line, socket size 19 mm (3/4"), incl. teflon sealing tape

brass order no. 220011

chrome order no. 330282



Tap with tank screw

Connection for Herkules, top and garden tank, size 19 mm (3/4"), incl. teflon sealing tape.

brass order no. 330044



Tap for water butts

Water butt tap with sealing ring and lock nut, size 19 mm (3/4") order no. 504011



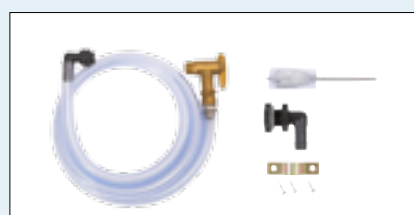
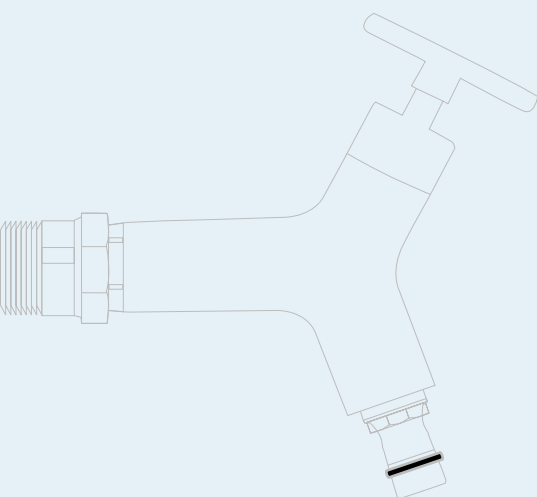
Aqua-Quick plastic tap

with brass finish, suited to all above-ground tanks and water butts, socket size 19 mm (3/4") order no. 504040



Aqua-Quick 4-part plastic tap kit

So that water can run faster! Plastic tap with brass finish in complete kit consisting of: tap with seal and screw connection, connecting pieces for standard hose fitting, hose 13 mm (1/2") and hose 19 mm (3/4"), union nuts and seals order no. 504044



Water butt connection kit

Kit for complete water extraction and water level display for above-ground rain-water storage tanks. Consisting of 2.15 m flexible hose, extraction tap and various connection options. Suited to all storage tanks.

order no. 220015

Accessory

For water butts and overground water tanks



Connection set Flex-Comfort

Extra-long and extremely flexible connection kit (40 cm) to connect rainwater tanks as well as Regendieb, Regendieb de luxe and Regendieb Pro. Includes extensive installation accessories.

Scope of supply:

Flexible 40 cm connection hose, core drill and hose connector; with 2 x connection fittings, inlet seals and hose clips.

grey order no. 220019

brown order no. 220020



Tap connection

With inside and outside thread, made of plastic, suitable for 19 mm (3/4") tap with outside thread and other taps.
order no. 504025



Overflow bend

With hose connection

Size 32 mm (1 1/4")

order no. 330041

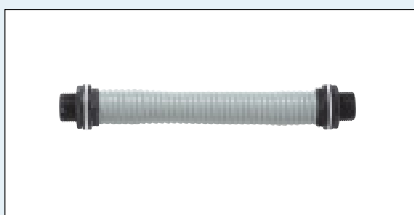
Size 51 mm (2")

order no. 330043



Child-proof lock | wind protection

For water butt cover (reusable), 4 items
order no. 504016



Water butt connection kit

Consisting of two hose connections with lock nut and 25 cm hose.

Size	order no.
19 mm (3/4")	504017
19 mm (3/4") with drill	504018
32 mm (1 1/4")	330031
51 mm (2")	330040