

L / FUTURO



INDIVIDUAL DESIGN

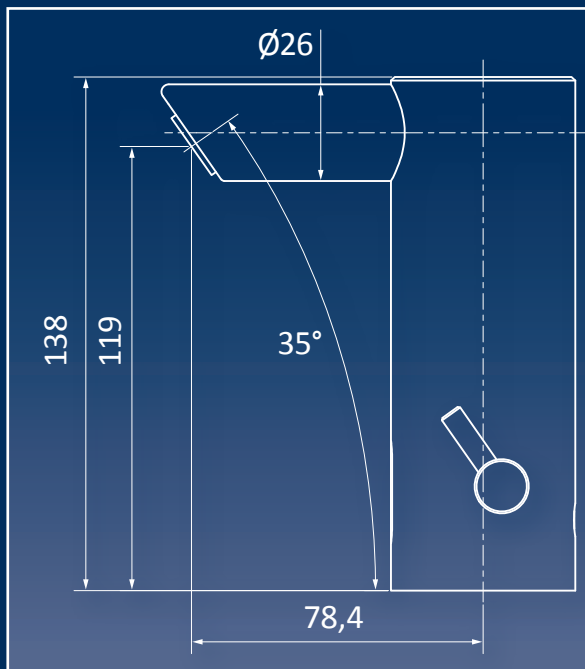
For the first time ever, a design concept in the world of taps offers space for unlimited creativity.

Individual blueprints can be realised using sophisticated enamelling and coating procedures in single-item up to limited-lot production.

Not only the design with individual ornaments, letterings or the like is possible, but also decorative elements such as crystals can be integrated.

ARTICLE DESCRIPTION		PG	ARTICLE-NR.
FUTURO COLOUR	wood, glossy	AR	9264-HGP2
FUTURO COLOUR	wood, matt	AR	9264-HMP2
FUTURO COLOUR	individual decor, glossy	AR	9264-XGP2
FUTURO COLOUR	individual decor, matt	AR	9264-XMP2

L / FUTURO



CLASSIC, WATER SAVING IR SENSOR TAPS, ALTERNATIVELY WITH BATTERY OR POWER SUPPLY

- » single-hole mixer, non-contact, electronically controlled, with battery status display, cleaning function and settings for the field of detection;
- » tap block made from dezincification-resistant brass (according to recent recommendations of the Federal Environment Agency UBA);
- » chromed case; hot/ cold water supply with flexible connecting hoses for drinking water, DN 6, G3/8", DVGW-certified; aerator, mounting material.

TECHNICAL DATA

- » aerator M18,5 x 1, flow rate at 4 bar 5,7 l/min; water stop after 1 minute, two-step battery status display, cleaning shutoff for 1 min;
- » maximum working pressure 8,5 bar; mixed water temperature is pre-adjusted by valves at the connecting hoses; spout projection 90 mm; cartridge electromagnetic valve 6V;
- » 6V lithium battery incl. plastic battery case (battery service life approx. 3 years), power supply 230 V AC / 6 V DC (on request).