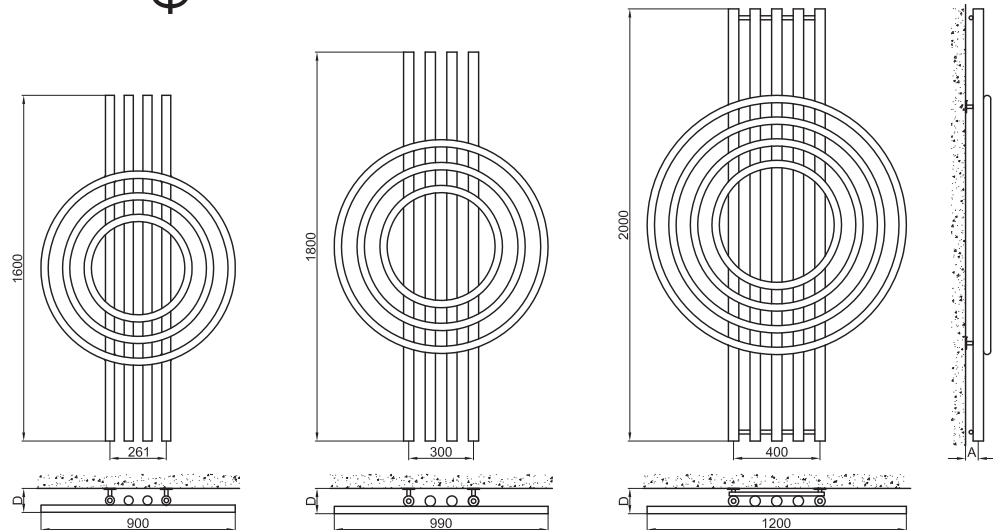


Ø



CE EN 442

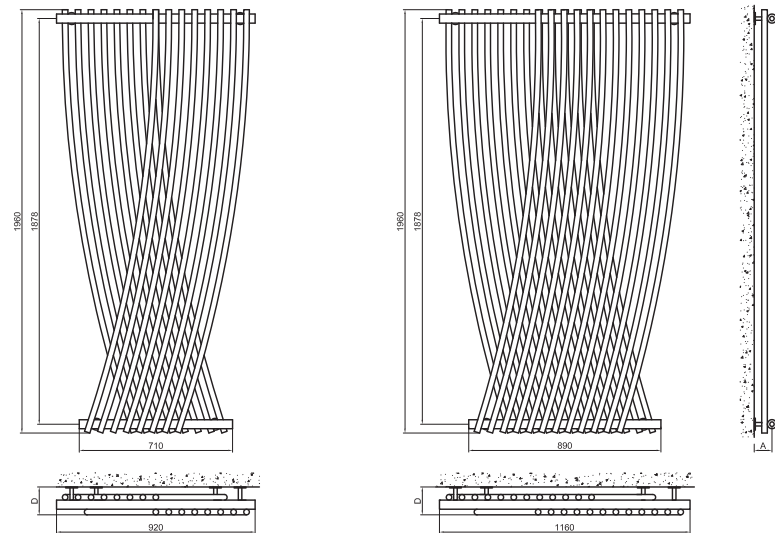
- Fittings: four connections 1/2"
- Material: stainless steel

- Operating pressure: max. 6 Bar
- Surface finish: combination of satin and mirror

- Operating temperature: max. 95°C

code	width mm	height mm	distance between centers mm	D mm	A mm	weight kg	capacity lit	thermal output at Δt. 50°K Watt	thermal output at Δt. 50°K BTU/h
IRAF09001600	900	1600	261	111	56	18.7	12.4	568	1937
IRAF09901800	990	1800	300	117	59	22.0	16.8	651	2220
IRAF12002000	1200	2000	400	117	59	30.3	20.9	804	2742

X



CE EN 442

- Fittings: four connections 1/2"
- Operating pressure: max. 6 Bar
- Operating temperature: max. 95°C

- Material: stainless steel
- Surface finish: mirror

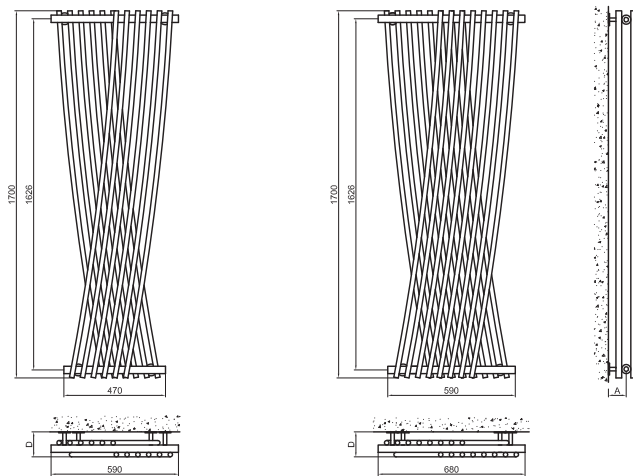
code	width mm	height mm	distance between centers mm	D mm	A mm	weight kg	capacity lit	thermal output at Δt. 50°K Watt	thermal output at Δt. 50°K BTU/h
IRAX09201960	920	1960	1878	129	82	35.0	16.3	1038	3540
IRAX11601960	1160	1960	1878	129	82	52.0	24.0	1539	5248

X



- Fittings: four connections 1/2"
- Operating pressure: max. 6 Bar
- Operating temperature: max. 95°C

- Material: stainless steel
- Surface finish: mirror



code	width mm	height mm	distance between centers mm	D mm	A mm	weight kg	capacity lit	thermal output at $\Delta t. 50^{\circ}K$ Watt	thermal output at $\Delta t. 50^{\circ}K$ BTU/h
IRAX05901700	590	1700	1626	112	78	18.0	6.2	558	1903
IRAX06801700	680	1700	1626	112	78	23.6	8.4	738	2517