

Column tank

The stylish rainwater tank

CLASSICline



- Classic design – extremely stable
- Inlet seal included in scope of supply
- Water can be extracted with ease using the tap or universal hose kit (accessories, page 30)
- Winterproof – leave tap open if there

- is a risk of frost. Residual water can remain in the tank
- Particularly UV-stable and weather-resistant



For suitable taps and accessories, see page 30



Threaded connection as standard! Tap can be fitted with ease without drilling

Column tank

Content [L]	US gallons	Ø max. [cm]	Height [cm]	Ø Cover opening [cm]	Weight [kg]	Sand beige Order no.	Stone grey Order no.
330	87	59	161	18	14	326530	326531
500	132	73	193	18	25	326510	326512
1000	264	91	222	18	44	326505	326506
2000	528	118	223	18	75	326540	-

Picture shows column tank with tap (accessories, page 30)

Column wall tank

Stylish and space-saving

CLASSICline

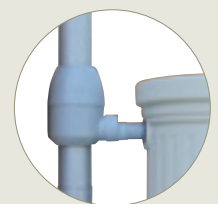


- Particularly space-saving – tank is just 48 cm deep (350 l tank)
- Elegant and extremely stable
- Wind protection and inlet seal included in scope of supply
- Water can be extracted with ease using the tap or universal hose kit (accessories, page 30)

- Winterproof – leave tap open if there is a risk of frost. Residual water can remain in the tank
- Threaded connection as standard! No drilling required to install the tap
- Particularly UV-stable and weather-resistant



For suitable taps and accessories, see page 30



For outstanding water quality: downpipe filters from page 32

Column wall tank

Content [L]	Content [US gallons]	Width [cm]	Depth [cm]	Height [cm]	Ø Cover opening [cm]	Weight [kg]	Sand beige Order no.	Stone grey Order no.	Dark green Order no.
350	92	73	48	193	18	25	326526	-	-
550	145	88	52	212	18	37	326521	326520	326525

Picture shows column wall tank with tap (accessories, page 30)

Accessories

for water butts and above-ground tanks



Tap

A must for all stylish tanks! Suitable for alle Products of Classic and Exclusive Line, socket size 19 mm (3/4"), incl. Teflon sealing tape

Brass: Order no. 220011

Chrome: Order no. 330282



Tap with tank screw

Connection for Herkules, top and garden tank, size 19 mm (3/4"), incl. Teflon sealing tape. Tap colour: brass

Order no. 330044



Aqua-Quick 4-part plastic tap kit

So that water can run faster! Plastic tap with brass finish in complete kit consisting of: tap with seal and screw connection, connecting pieces for standard hose fitting, hose 13 mm (1/2") and hose 19 mm (3/4"), union nuts and seals

Order no. 504044



Aqua-Quick plastic tap

with brass finish, suited to all above-ground tanks and water butts, socket size 19 mm (3/4")

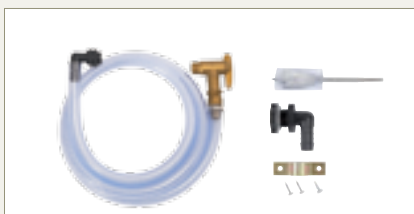
Order no. 504040



Tap for water butts

Water butt tap with sealing ring and lock nut, size 19 mm (3/4")

Order no. 504011



Water butt connection kit

Kit for complete water extraction and water level display for above-ground rainwater storage tanks. Consisting of 2.15 m flexible hose, extraction tap and various connection options. Suited to all storage tanks.

Order no. 220015

NEW



Connection set Flex-Comfort

Long and flexible connection hose (40 cm) for connecting water butts or downpipe filters. Installation material included.

Scope of supply:

Flexible connection hose 40 cm, core drill and hose fitting, 2 x hose adapter, inlet seal and hose clip.

Grey: Order no. 220019

Brown: Order no. 220020



Water butt connection kit

Consisting of two hose connections with lock nut and 25 cm hose

Size	Order no.
19 mm (3/4")	504017
19 mm (3/4") with drill	504018
32 mm (1 1/4")	330031
50 mm (2")	330040



Overflow bend

With hose connection
Size 32 mm (1 1/4")

Order no. 330041

Size 51 mm (2")

Order no. 330043



Child-proof lock / wind protection

For water butt cover (reusable), 4 items

Order no. 504016



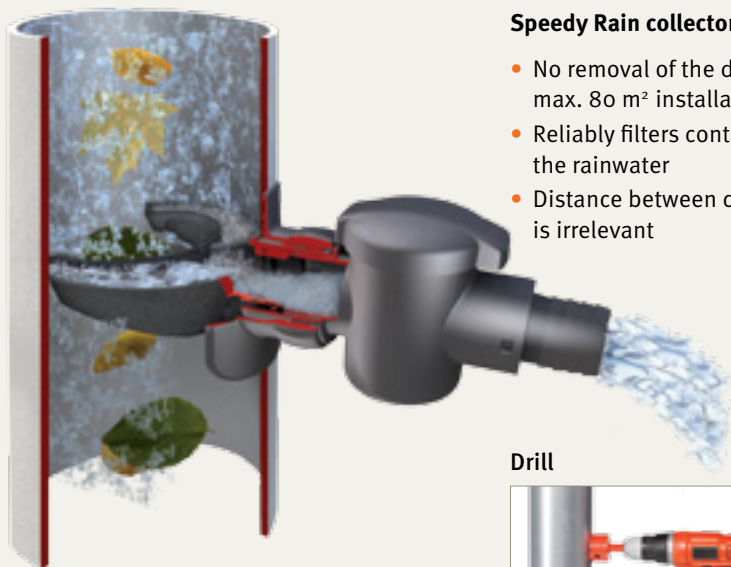
Tap connection

With inside and outside thread, made of plastic, suitable for 19 mm (3/4") tap with outside thread and other taps.

Order no. 504025

Speedy Rain collector

Regendieb Pro



Speedy Rain collector

- No removal of the downpipe for the max. 80 m² installation
- Reliably filters contaminations out of the rainwater
- Distance between downpipe and wall is irrelevant

- Including filter and overflow function
- Summer/winter operation
- Downpipe sizes 70-100 mm
- Including core drill and connection seal



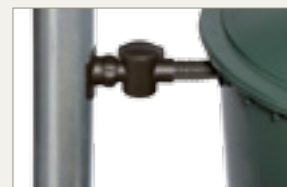
Drill



Plug in



Done



Speedy Rain collector

Height [mm]	Ø [mm]	Order no.
90	60	503041



Regendieb Pro

- Reliably filters contaminations out of the rainwater
- Fills the rainwater tank and prevents full rainwater storage tank from overflowing
- High water yield (95%)
- Slim design – only 16 mm distance between downpipe and outside wall
- Turnable filter body for flexible connection
- Low maintenance due to optimised self-cleaning

- Can be easily switched from summer to winter use by turning the adjusting collar
- Suitable for downpipe sizes 100 mm
- Including inlet seal



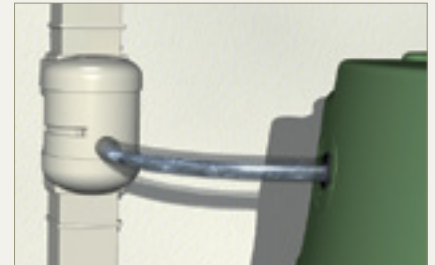
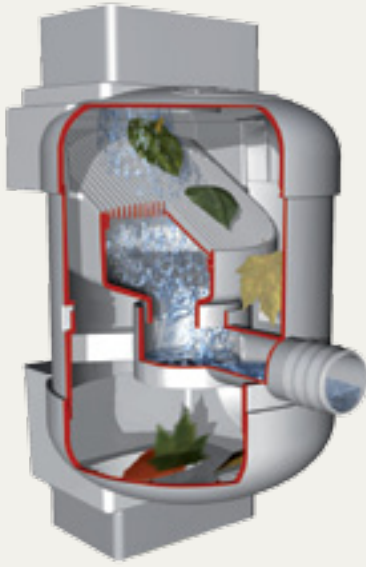
Regendieb Pro

Height [mm]	Ø [mm]	Grey Order no.	Brown Order no.
255	130	344202	344203

Quattro Twist Quattro

Quattro Twist

- Suitable for oval and square downpipes
- Easy to switch from summer to winter operation
- High water yield (approx. 90%)
- With internal sieve
- Turnable 90°, patented
- 25 mm (1") side outlet

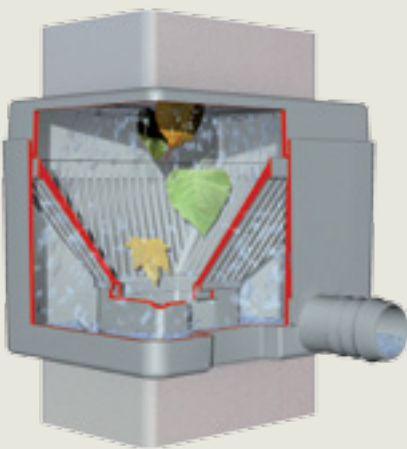


Quattro Twist

Height [mm]	Grey Order no.	Brown Order no.	Beige Order no.
245	503050	503051	503052

Quattro

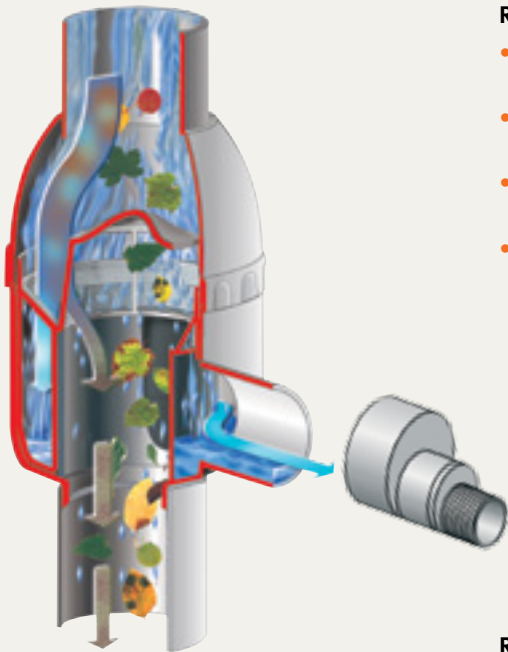
- Suitable for oval and square downpipes
- Easy to switch from summer to winter operation
- High water yield (approx. 90%)
- 19 mm (3/4") side outlet
- With internal sieve



Quattro

Height [mm]	Grey Order no.	Brown Order no.	Beige Order no.
120	503060	503061	503062

Regendieb de luxe, Regendieb,



Regendieb de luxe

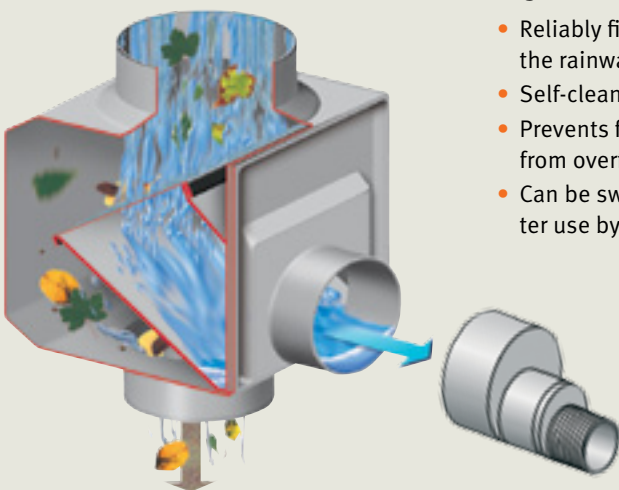
- Reliably filters contaminants out of the rainwater
- Self-cleaning, low-maintenance downpipe filter
- Prevents full rainwater storage tanks from overflowing
- Stainless steel fine filter reliably removes contaminants

- Can be easily switched from summer to winter use by rotating on housing
- High water yield (approx. 90 %)
- Downpipe sizes 70-100 mm



Regendieb de luxe

Height [mm]	Ø [mm]	Grey Order no.	Brown Order no.
300	175	344104	344105



Regendieb

- Reliably filters contaminants out of the rainwater
- Self-cleaning downpipe filter
- Prevents full rainwater storage tanks from overflowing
- Can be switched from summer to winter use by turning over the filter insert

- High water yield (approx. 90 %)
- Including inlet seal
- Downpipe sizes 70-100 mm



Regendieb

Height [mm]	Width [mm]	Depth [mm]	Grey Order no.	Brown Order no.
250	150	200	343011	343010

Filling device, filling device de luxe and foliage guard



Filling device

- Reliably filters out large contaminants (e.g. leaves)
- Prevents full water butts from overflowing
- Can be easily switched from summer to winter use
- 25 mm (1") side outlet, with hose and screw connection
- Downpipe sizes 70-100 mm



Filling device

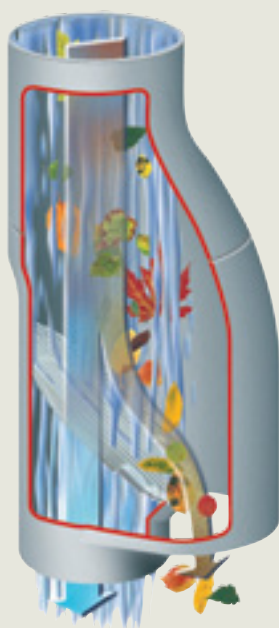
Height [mm]	Ø [mm]	Grey Order no.	Brown Order no.
115	130	503011	503010

Filling device de luxe

Height [mm]	Ø [mm]	Grey Order no.	Brown Order no.
150	150	503015	503014

Filling device de luxe

- Like filling device
- 32 mm (1 1/4") side outlet



Foliage guard

- Reliably traps leaves and large contaminants, preventing the downpipe from getting blocked
- Ideal in areas with a lot of leaves e.g. as pre-filter
- Self-cleaning and low-maintenance
- Convenient removal of screen area without having to dismantle the filter for cleaning or before frost period



- Can be easily switched from summer to winter use
- Downpipe sizes 70-100 mm

Foliage guard

Height [mm]	Width [mm]	Depth [mm]	Grey Order no.	Brown Order no.
350	110	180	346013	346011