

# COLLOM MIRROR | COLLOM LIGHT



## COLLOM MIRROR

Material	steel pipes $\varnothing$ 28 mm / steel profiles 70 × 11 mm
Connection thread	2 × G1/2"
Testing overpressure	0,65 MPa
Max. operating overpressure	0,5 MPa
Max. operating temperature	95 °C
Number of profiles	5

## COLLOM LIGHT

Material	steel pipes $\varnothing$ 28 mm / steel profiles 50 × 10 mm
Connection thread	2 × G1/2"
Testing overpressure	0,65 MPa
Max. operating overpressure	0,5 MPa
Max. operating temperature	110 °C
Number of profiles	5, 8, 11



COLLOM MIRROR 1800 × 602

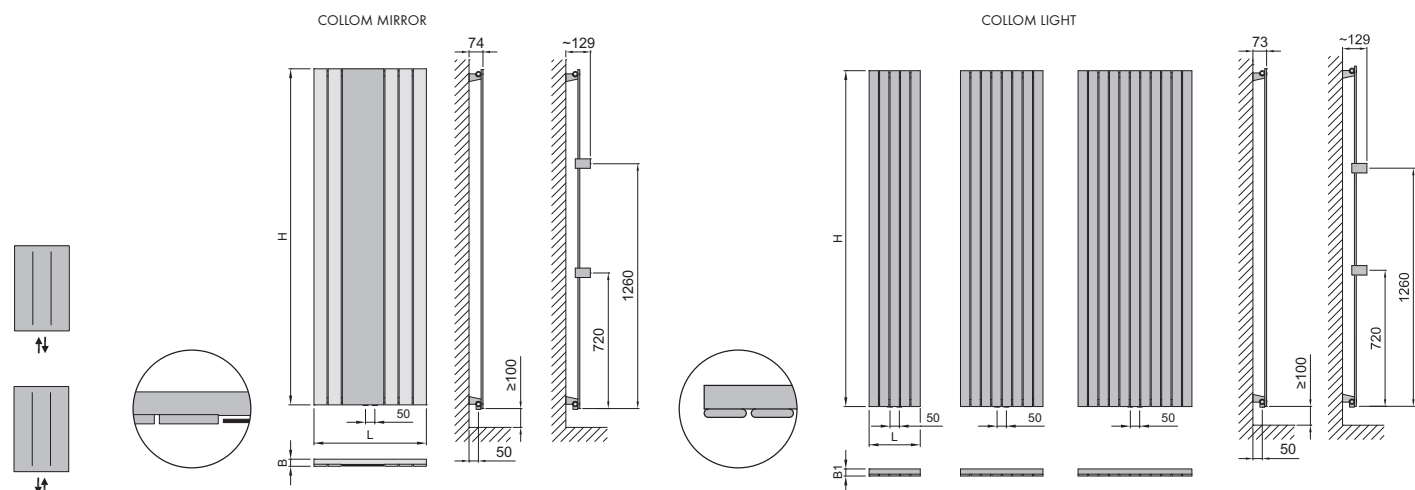
## COLLOM MIRROR

Type H/L [mm]	Depth B [mm]	Weight [kg]	Water capacity [l]	Temperature exponent [n]	Heating Output [W]			Recommended power input		Connection span [mm]
					75/65/20 °C	70/55/20 °C	55/45/20 °C	paint [W]	chrome [W]	
1800/602	38	24,9	5,4	1,272	773	479	308	-	-	mc 50

## COLLOM LIGHT

Type H/L [mm]	Depth B1 [mm]	Weight [kg]	Water capacity [l]	Temperature exponent [n]	Heating Output [W]			Recommended power input		Connection span [mm]
					75/65/20 °C	70/55/20 °C	55/45/20 °C	paint [W]	chrome [W]	
1800/274	38	12,5	3,1	1,281	550	447	286	-	-	mc 50
1800/442	38	19,5	5,1	1,281	866	703	450	-	-	mc 50
1800/610	38	26,5	7,0	1,281	1183	961	615	-	-	mc 50

Thermal power measuring follows in accordance with EN 442.  
Accessories (page 64, 65 and 66) is not part of the radiator.



Connection options

DCMM 1800 0602...

Option of adding up to 2 rails

DCLL 1800 0274...

DCLL 1800 0442...

DCLL 1800 0610...

Option of adding up to 2 rails