

## L / HEXA



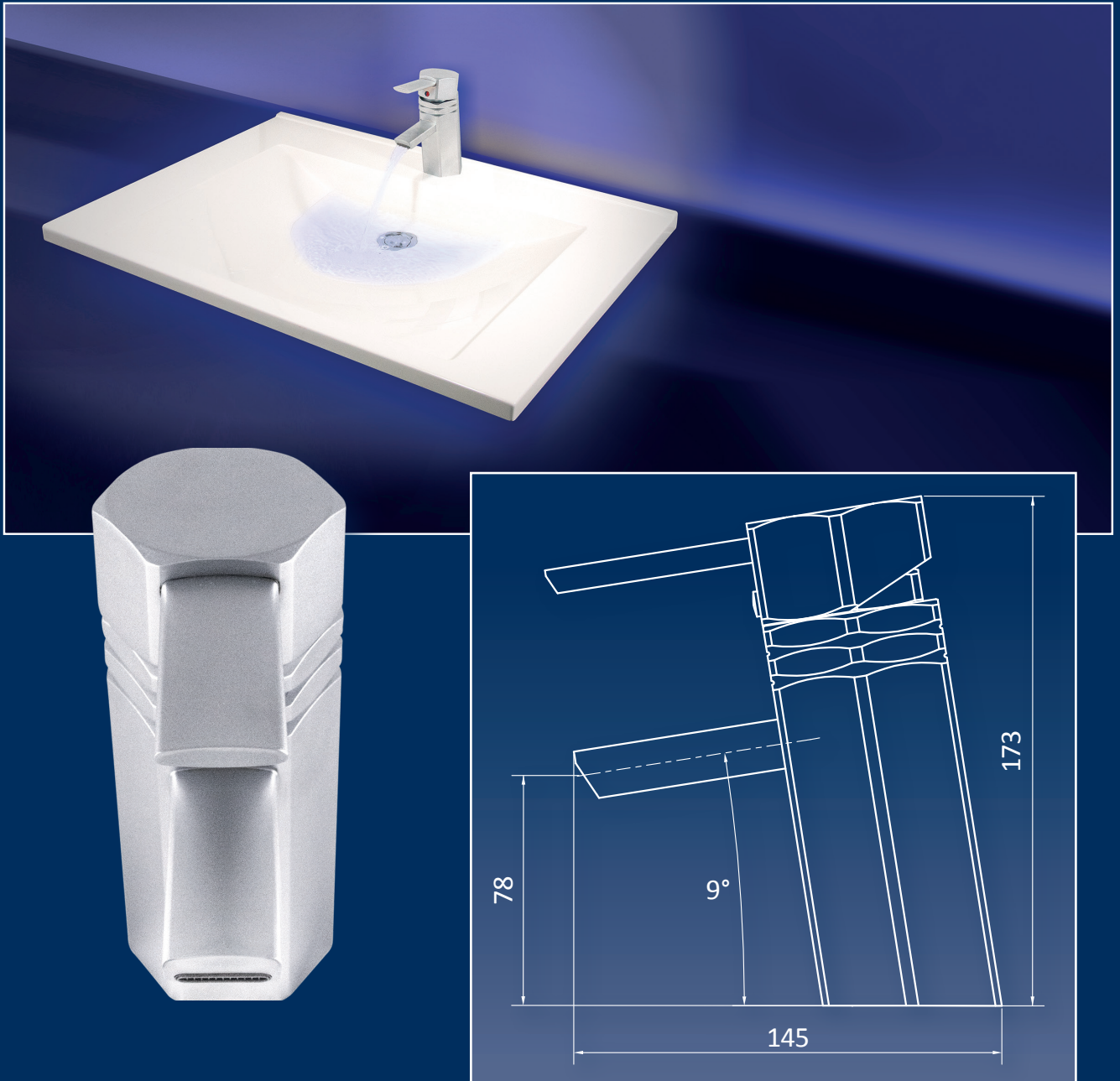
## THE PERFECTION OF THE OLD MASTERS

With the hexagonal tap L | HEXA, LINDNER bows to the old masters of architecture.

A clearly structured technical design that is geometrically configured strictly according to the “Golden Ratio” dominates by balance, even in the minutest details.

The latest technology of surface treatment completes the massive and masculine look of this tap to a perfect unit.

This opulent appearance guarantees attention in every bathroom as mass fuses with class to a sensible design experience.



## TECHNICAL DATA

- » tap type » single lever- washbasin tap, material » tap corpus: low-lead brass, case » glass bead blasted and matt chrome-plated;
- » aerator: 24 x 6 (fixation and sealing using press fit); flow rate at 3 bar 8,5 l/min; recommended operational parameters: < 65°C / 1 - 5 bar;
- » max. working pressure: 10 bar; hot and cold water connection with flexible pressure hoses;
- » silicone DN 6 KTW-A W270, 3/8"; pop-up drain.