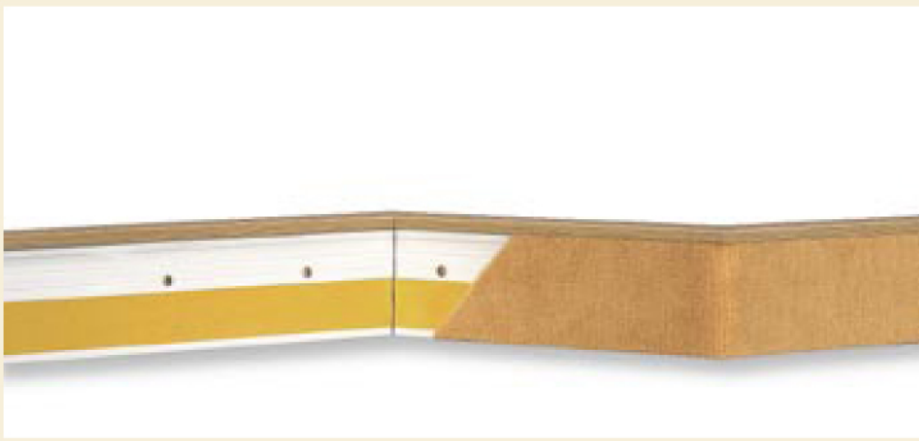




BLT / BL

Dummy skirting board for carpets and dummy skirting board made of solid wood



BLT: The carpet dummy skirting boards are used along walls where no pipes have been laid. The carpet dummy skirting board BLT is made of a robust plastic hollow space profile and is provided with self-adhesive tape for inserting the carpet.

The dummy skirting boards are mounted with the nail plug art. no. 204. The screw head is covered by the carpet once it is stuck down. Dummy skirting board holders are unnecessary. Precise mitre cuts are needed in the corners. No moulded parts are needed due to the shallow depth.

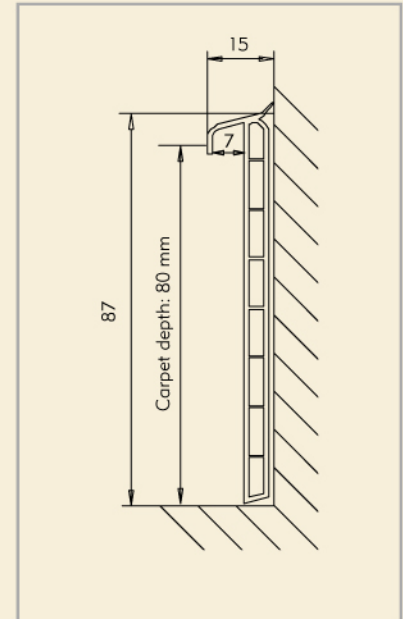
The profile is available in the finishes light oak and white matching the SLT 2000 profile (see pages 10 and 11).

The self-adhesive tape is only suitable for carpets with a smooth foam coating. With other carpeting extra contact adhesive or double-sided adhesive tape is necessary.

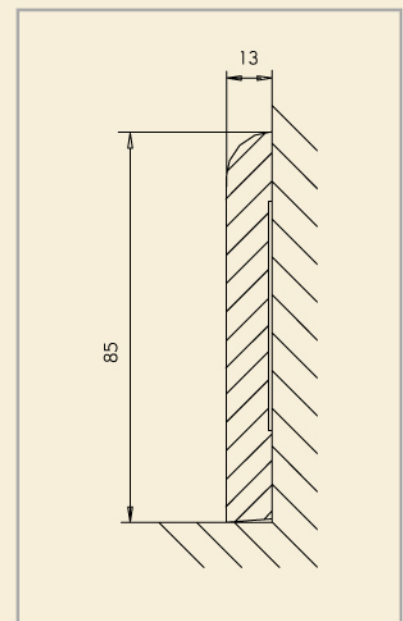
BL: Solid wood dummy skirting boards are available in two finishes matching the solid wood and wood-based material skirting boards (see page 15), in abachi solid wood (unfinished, can be stained) and genuine wood veneer in light oak.

To obtain a better appearance a brass cheese head screw and wall plug should be used for mounting.

Precise mitre cuts are needed in the corners. In order to obtain an accurate mitre cut we offer our mitre cutting device or precision saw.



Dimensions of BLT



Dimensions of BL



Nail plug art. no. 204 (ND 40-6)

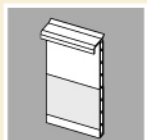
Wall plug with countersunk head and threaded nail.
Packing unit: 50 pcs Requirements: 1 per 50 cm

Carpet dummy skirting board

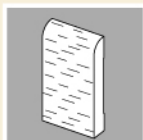
With self-adhesive tape, to match SLT 2000.
Packing unit: 40 m
Length: 4 m
(Installation without BLH)

Wood dummy skirting board

HZ dummy skirting board in solid abachi wood
Packing unit: 40 m
Length: 4 m



Light oak
Art. no. 269
(BLT EH)



Natural, can be stained
Art. no. 158
(BL A)

White
Art. no. 289
(BLT W)

Genuine oak veneer
Art. no. 159
(BL EH)